



- ENVIRONMENTAL FRIENDLY •
- LOW CARBON •
- ENERGY •



Zhejiang Pntech Technology Co.,Ltd.



CONTACT US

86 400 887 1128

www.pntech.com.cn

peak@pntech.com.cn

No. 108, West Section of Yinxian Avenue, Haishu District, Ningbo, Zhejiang, China



FOCUS ON ENTERPRISE
WECHAT



Zhejiang Pntech Technology Co.,Ltd.

COMPANY PROFILE

Pntech, founded in 2011, is a high-tech enterprise specializing in solar accessories production, sales, research, and development, and services. The company's business includes solar photovoltaic cables, connectors, BIPV wiring harness adapters, and photovoltaic link applications. Pntech offers one-stop solar energy solutions, high-quality photovoltaic cable and accessories products, and installation and energy support programs.

As a professional solar photovoltaic power generation manufacturer, Pntech has received several accolades, including National High-tech Enterprise, member of

Science and Technology Innovation Committee, and the title "Entrepreneurial Star" of Zhejiang Province. The company has also passed multiple domestic and international certifications, including ISO 9001, ISO 14001, ISO 45001, EU CE, TUV-IEC 62852, TUV, China Quality CQC, and EU CPR. With 6 automatic production lines and 8 injection molding machines, Pntech has a monthly production capacity of 20,000 kilometers of photovoltaic cables and 2 million sets of connectors, exporting products to over 30 countries and regions across Europe, Southeast Asia, the Middle East, Australia, South America, and more.

PRODUCT CONTENTS

目录

Company Profile

● Certification	01 / 02
● Contents	03 / 04

DC Solar PV Cable

● H1Z2Z2-K	05
● 62930 IEC131	06
● 62930 IEC131 Double parallel solar cable	07
● PV1-F	08
● PV wire	09
● PV 1500DC-AL Photovoltaic Aluminum Alloy cable	10
● PV2000-K	11

PV Cable for Offshore Use

Armoured Photovoltaic Cable	13 / 14
-----------------------------------	---------

PVC Unsheathed Cable

Solar PV Connector 1000V Series

● Solar PV Connector 1000V Series	17 / 18
● T Branch Connector 1000V Series	19 / 20
● Y Branch Connector 1000V Series	21 / 24

Solar PV Connector 1500V Series

● Solar PV Connector 1500V Series	25 / 28
● T/Y Branch Connector 1500V Series	29 / 31
● Solar PV Connector 2000V	32

Solar Extension Cable

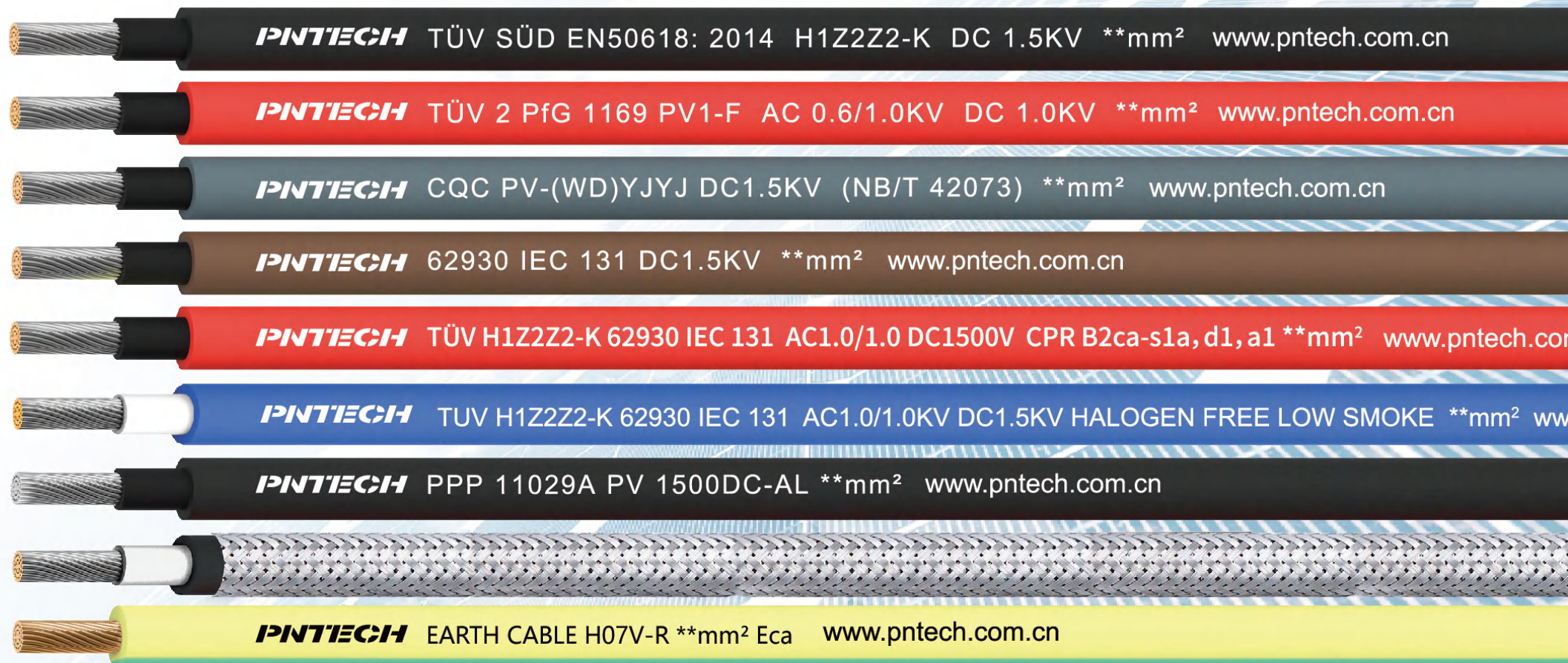
● Solar Extension Cable	33 / 34
● Energy Storage Harness	35
● Flattened PV Extension Cord	36
● Micro Inverter Extension Cord	37
● Junction Box	38
● PV Rapid Shutdown	39
● Intelligent Component Optimise	40
● Solar Tool Kits	41 / 42

DC SOLAR PV CABLE



25 YEAR LIFE SPAN / 5 YEAR WARRANTY

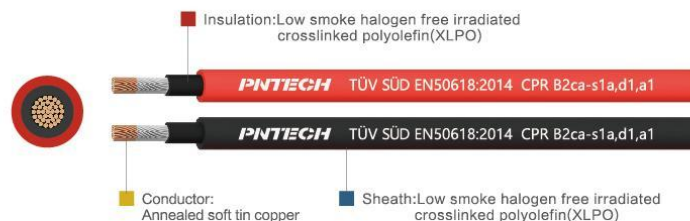
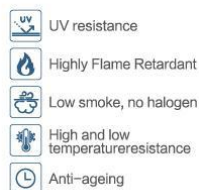
PV cable is mainly used for solar PV assemblies and the installation of PV power stations. We use Halogen Free Cross-Linked Polyolefin (XLPO/XLPE) for insulation and jacket, so the cable can bear the solar radiation and be used at high/low temperatures.



H1Z2Z2-K



Approvals TÜV SÜD EN50618:2014 CPR B2ca-s1a,d1,a1



TECHNICAL DATA

Conductor: Annealed soft tin copper

Sheath/Insulation: XLPO

Rated voltage: AC U₀/U 1.0/1.0KV, DC1.5KV

Voltage test on completed cable: AC6.5KV/5min, DC15KV/5min

Approvals:

EN50618:2014

Temperature rating:

Ambient temperature: -40°C~+90°C

The permitted short-circuit-temperature referring to a period of 5s is+200°C

Testing Standards:

Cold bending test: EN60811-504

Test under fire condition: EN60332-1-2

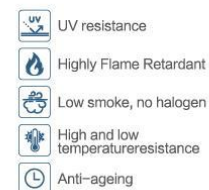
THE STRUCTURE OF CABLE (Subject To The Latest Specifications)

Cross section (mm ²)	Conductor construction (± n/mm ± 0.015)	Conductor stranded (± mm ± 0.02)	Insulation medium thickness (≥ mm)	Sheath medium thickness (≥ mm)	Cable OD (± mm ± 0.2)	Conductor Dc Resistance (Ω/Km)	Current carrying capacity AT 60° C(A)
1.5	22x0.285	1.5	0.7	0.8	4.6	13.7	24
2.5	36x0.285	2.0	0.7	0.8	5.1	8.21	33
4	56x0.285	2.4	0.7	0.8	5.5	5.09	44
6	84x0.285	3.0	0.7	0.8	6.1	3.39	57
10	80x0.39	4.0	0.7	0.8	7.1	1.95	79
16	120x0.39	5.0	0.7	0.9	8.6	1.24	107
25	196x0.39	6.3	0.9	1.0	10.6	0.795	142
35	276x0.39	7.4	0.9	1.0	12.4	0.565	176

62930 IEC131



Approvals TÜV Rheinland IEC 62930 131



TECHNICAL DATA

Conductor: Annealed soft tin copper

Sheath/Insulation: XLPO

Rated voltage: AC U₀/U 1.0/1.0KV, DC1.5KV

Voltage test on completed cable: AC6.5KV/5min, DC15KV/5min

Approvals:

IEC 62930:2017

Temperature rating:

Ambient temperature: -40°C~+90°C

The permitted short-circuit-temperature referring to a period of 5s is+200°C

Testing Standards:

Cold bending test: IEC 60811-504

Test under fire condition: EN 60332-1-2

THE STRUCTURE OF CABLE (Subject To The Latest Specifications)

Cross section (mm ²)	Conductor construction (± n/mm ± 0.015)	Conductor stranded (± mm ± 0.02)	Insulation medium thickness (≥ mm)	Sheath medium thickness (≥ mm)	Cable OD (± mm ± 0.2)	Conductor Dc Resistance (Ω/Km)	Current carrying capacity AT 60° C(A)
1.5	22x0.285	1.5	0.7	0.8	4.6	13.7	24
2.5	36x0.285	2.0	0.7	0.8	5.1	8.21	33
4	56x0.285	2.4	0.7	0.8	5.5	5.09	45
6	84x0.285	3.0	0.7	0.8	6.1	3.39	58
10	80x0.39	4.0	0.7	0.8	7.1	1.95	80
16	120x0.39	5.0	0.7	0.9	8.6	1.24	107
25	196x0.39	6.3	0.9	1.0	10.6	0.795	138
35	276x0.39	7.4	0.9	1.0	12.4	0.565	171

62930 IEC131



CE RoHS

Approvals TÜV Rheinland 62930 IEC 131 Double parallel solar cable

- UV resistance
- Highly Flame Retardant
- Low smoke, no halogen
- High and low temperature resistance
- Anti-ageing



TECHNICAL DATA

Conductor: Annealed soft tin copper

Sheath/Insulation: XLPO

Rated voltage: AC U₀/U 1.0/1.0KV, DC1.5KV

Voltage test on completed cable: AC6.5KV/5min, DC15KV/5min

Approvals:

IEC 62930:2017

Temperature rating:

Ambient temperature: -40°C~+90°C

The permitted short-circuit-temperature referring to a period of 5s is +200°C

Testing Standards:

Cold bending test: IEC 60811-504

Test under fire condition: EN 60332-1-2

THE STRUCTURE OF CABLE (Subject To The Latest Specifications)

Cross section (mm ²)	Conductor construction (± mm ± 0.015)	Conductor stranded (± mm ± 0.02)	Insulation median thickness (≥ mm)	Sheath median thickness (≥ mm)	Cable OD (± mm ± 0.2)	Conductor Dc Resistance (Ω/Km)	Current carrying capacity AT 60° C(A)
2x2.5	36x0.285	2.0	0.7	0.8	5.1 × 10.5	8.21	33
2x4	56x0.285	2.4	0.7	0.8	5.5 × 11.8	5.09	45
2x6	84x0.285	3.0	0.7	0.8	6.1 × 12.8	3.39	58
2x10	80x0.39	4.0	0.7	0.8	7.1 × 15	1.95	80

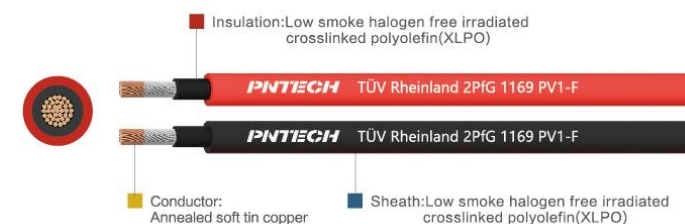
PV1-F



CE RoHS

Approvals TÜV Rheinland 2PFG 1169

- UV resistance
- Highly Flame Retardant
- Low smoke, no halogen
- High and low temperature resistance
- Anti-ageing



TECHNICAL DATA

Conductor: Annealed soft tin copper

Sheath/Insulation: XLPO

Rated voltage: AC U₀/U 0.6/1.0KV, DC1.0KV

Voltage test on completed cable: AC6.5KV/5min, DC15KV/5min

Approvals:

2 PFG 1169 / 08.07

Temperature rating:

Ambient temperature: -40°C~+90°C

The permitted short-circuit-temperature referring to a period of 5s is +200°C

Testing Standards:

Cold bending test: EN60811-1-4

Test under fire condition: EN 60332-1-2

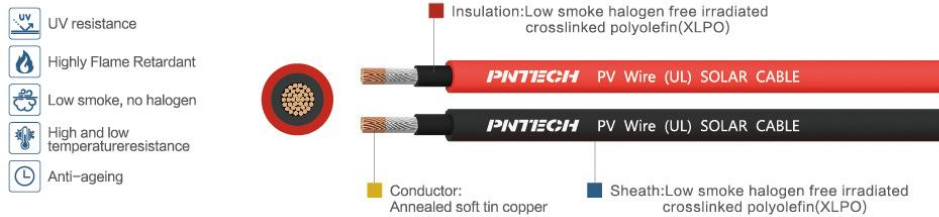
THE STRUCTURE OF CABLE (Subject To The Latest Specifications)

Cross section (mm ²)	Conductor construction (± mm ± 0.015)	Conductor stranded (± mm ± 0.02)	Insulation median thickness (≥ mm)	Sheath median thickness (≥ mm)	Cable OD (± mm ± 0.2)	Conductor Dc Resistance (Ω/Km)	Current carrying capacity AT 60° C(A)
1.5	22x0.285	1.5	0.5	0.5	4.3	13.7	24
2.5	36x0.285	2.0	0.5	0.5	4.8	8.21	33
4	56x0.285	2.4	0.5	0.5	5.1	5.09	44
6	84x0.285	3.0	0.5	0.5	5.9	3.39	57
10	80x0.39	4.0	0.5	0.5	6.9	1.95	79
16	120x0.39	5.0	0.5	0.5	8.4	1.24	107
25	196x0.39	6.3	0.5	0.5	10.2	0.795	142
35	276x0.39	7.4	0.5	0.5	11.2	0.565	176

PV wire

CE RoHS

Approvals UL4703 PV 16AWG~2AWG



TECHNICAL DATA

Rated voltage:(U):U=1.0KV / 2.0KVAC

Test voltage:(U₀):U=1.0KV, 2.0KV

18~10AWG,U₀=6.0KV, 50HZ, 1min

8~2 AWG,U₀=7.5KV, 50HZ, 1min

Ambient temperature:-40°C~+90°C

Flame test:UL1581 VW-1

Relative permittivity:UL854

Stability factor:UL854

Sunlight resistance:UL2556

Cold bending test:UL854

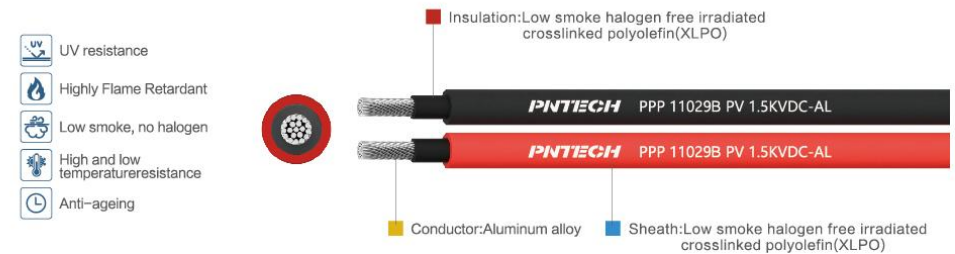
THE STRUCTURE OF CABLE (Subject To The Latest Specifications)

AWG	Nominal Area	Conductor construction (ϕ n/mm \pm 0.02)	1000V and 2000V Cable OD (ϕ mm \pm 0.02)	Conductor MAX. Resistance AT 20°C (Ω /km)
16	1.31	18 \times 0.29	5	14.6
14	2.08	32 \times 0.29	5.7	8.96
12	3.31	48 \times 0.29	6.3	5.64
10	5.261	78 \times 0.29	6.8	3.546
8	8.367	68 \times 0.38	7.8	2.23
6	13.3	116 \times 0.38	8.8	1.403
4	21.15	180 \times 0.38	10.1	0.882
2	33.62	260 \times 0.39	12.5	0.5548

PV 1500DC-AL

TUV CE RoHS

Approvals PPP 11029B PV 1.5KVDC-AL Photovoltaic Aluminum Alloy Cable



TECHNICAL DATA

Conductor: Aluminum alloy

Sheath/Insulation: XLPO

Rated voltage: AC U₀/U 1.0/1.0 KV, DC 1.5 KV

Voltage test on completed cable: AC6.5KV/5min, DC15KV/5min

Approvals:

PPP 11029B:2024

Temperature rating:

Ambient temperature: -40°C~+90°C

The permitted short-circuit-temperature referring to a period of 5s is+200°C

Testing Standards:

Cold bending test: IEC 60811-504

Test under fire condition: EN 60332-1-2

THE STRUCTURE OF CABLE (Subject To The Latest Specifications)

Cross section (mm ²)	Conductor construction (ϕ n/mm \pm 0.015)	Conductor stranded (ϕ mm \pm 0.02)	Insulation medium thickness (\geq mm)	Sheath medium thickness (\geq mm)	Cable OD (ϕ mm \pm 0.2)	Conductor Dc Resistance (Ω /Km)	Current carrying capacity AT 60° C(A)
4	56 \times 0.3	2.6	0.7	0.8	5.6	7.85	30
6	84 \times 0.3	3.2	0.7	0.8	6.4	5.23	39
10	80 \times 0.4	4.5	0.7	0.8	8.3	3.08	51

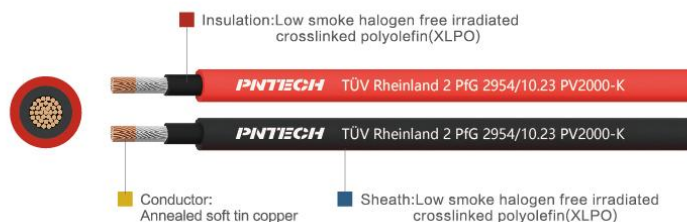
PV2000-K



CE RoHS

Approvals TÜV Rheinland 2 PFG 2954/10.23

- UV resistance
- Highly Flame Retardant
- Low smoke, no halogen
- High and low temperature resistance
- Anti-ageing



TECHNICAL DATA

Conductor: Annealed soft tin copper

Sheath/Insulation: XLPO

Rated voltage: AC U₀/U 1.2/1.2KV, DC2.0KV

Voltage test on completed cable: AC 8KV/5min, DC19KV/5min

Approvals:

2 PFG 2954/10.23

Temperature rating:

Ambient temperature: -40°C~+90°C

The permitted short-circuit-temperature referring to a period of 5s is +200°C

Testing Standards:

Cold bending test: EN60811-1-4

Test under fire condition: EN60332-1-2

THE STRUCTURE OF CABLE (Subject To The Latest Specifications)

Cross section (mm ²)	Conductor construction (±nlmm±0.015)	Conductor stranded (±mm±0.02)	Insulation medium thickness (≥mm)	Sheath medium thickness (≥mm)	Cable OD (±mm±0.2)	Conductor Dc Resistance (Ω/Km)	Current carrying capacity AT 80° C(A)
1.5	22x0.285	1.5	1.1	0.8	5.4	13.7	24
2.5	36x0.285	2.0	1.1	0.8	5.9	8.21	33
4	56x0.285	2.4	1.1	0.8	6.3	5.09	44
6	84x0.285	3.0	1.1	0.8	6.9	3.39	57
10	80x0.39	4.0	1.1	0.8	7.9	1.95	79
16	120x0.39	5.0	1.1	0.9	9.4	1.24	107
25	196x0.39	6.3	1.3	1.0	11.4	0.795	142
35	276x0.39	7.4	1.3	1.1	13.2	0.565	176
50	378x0.39	9.3	1.3	1.2	14.9	0.393	221
70	336x0.49	11	1.4	1.2	16.9	0.277	278
95	456x0.49	13	1.4	1.3	19.2	0.210	333
120	570x0.49	14.4	1.5	1.3	20.9	0.164	390

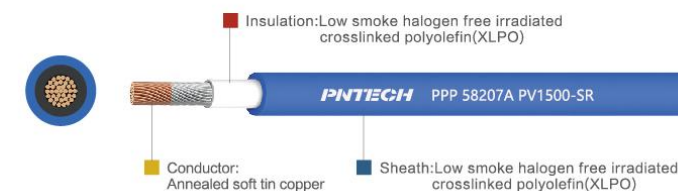
PV1500-SR

CE RoHS

Approvals PPP 58207A

AD8
Submersion

- UV resistance
- Highly Flame Retardant
- Low smoke, no halogen
- High and low temperature resistance
- Anti-ageing
- Salt Spray Testing



TECHNICAL DATA

Conductor: Annealed soft tin copper

Sheath/Insulation: XLPO

Rated voltage: AC U₀/U 1.0/1.0KV, DC1.5KV

Voltage test on completed cable: AC6.5KV/5min, DC15KV/5min

Approvals:

EN50618:2014

Temperature rating:

Ambient temperature: -40°C~+90°C

The permitted short-circuit-temperature referring to a period of 5s is +200°C

Testing Standards:

Cold bending test: EN60811-504

Test under fire condition: EN60332-1-2

THE STRUCTURE OF CABLE (Subject To The Latest Specifications)

Cross section (mm ²)	Conductor construction (±nlmm±0.015)	Conductor stranded (±mm±0.02)	Insulation medium thickness (≥mm)	Sheath medium thickness (≥mm)	Cable OD (±mm±0.2)	Conductor Dc Resistance (Ω/Km)	Current carrying capacity AT 80° C(A)
1.5	22x0.285	1.5	0.7	0.8	4.6	13.7	24
2.5	36x0.285	2.0	0.7	0.8	5.1	8.21	33
4	56x0.285	2.4	0.7	0.8	5.5	5.09	44
6	84x0.285	3.0	0.7	0.8	6.3	3.39	57
10	80x0.39	4.0	0.7	0.8	7.3	1.95	79
16	120x0.39	5.0	0.7	0.9	9.0	1.24	107
25	196x0.39	6.3	0.9	1.0	11.2	0.795	142
35	276x0.39	7.4	0.9	1.0	12.4	0.565	176

GF-WDZCEER23

CE RoHS

Approvals CEEIA B218.2-2012



TECHNICAL DATA

Rated voltage: DC1.8KV

Voltage test on completed cable: AC6.5KV/5min, DC15KV/5min

Rated temperature: -40°C~+125°C

The permitted short-circuit-temperature referring to a period of 5s is +200°C

Flame Retardant Grade: Flame Retardant Class C, Fire Resistant

Finished cable ozone test: GB/T 2951.21-2008

Ageing properties: GB/T 2951.12-2008

Cold bending test: GB/T 2951.14-2008

Weather/UV Resistant: GB/T 12527-2008

Damp Heat Test: GB/T 2423.3-2006

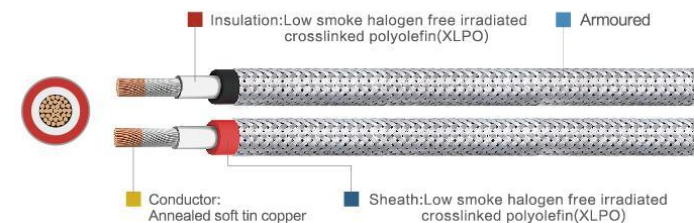
THE STRUCTURE OF CABLE (Subject To The Latest Specifications)

Cross section (mm ²)	Armoured	Conductor construction (± n/mm ± 0.02)	Conductor stranded (± mm ± 0.02)	Insulation medium thickness (mm)	Inner Sheath medium thickness (mm)	Sheath medium thickness (≥ mm)	Cable OD (mm ± 0.5)	Cable OD (≤ Ω/Km)
2x1.5	Stainless steel strip	22x0.285	1.6	0.7	0.8	0.8	12.5	13.7
2x2.5		36x0.285	1.9	0.7	0.8	0.8	13.5	8.21
2x4		56x0.285	2.5	0.8	0.8	0.8	15	5.09
2x6		84x0.285	2.9	0.8	0.8	0.8	17	3.39

H1Z2Z2-K

TUV SÜD CE RoHS

Approvals TÜV SÜD EN50618:2014



TECHNICAL DATA

Conductor: Annealed soft tin copper

Armoured: Stainless steel

Sheath/Insulation: XLPO

Rated voltage: AC U₀/U 1.0/1.0KV, DC1.5KV

Voltage test on completed cable: AC6.5KV/5min, DC15KV/5min

Approvals:

EN50618:2014

Temperature rating:

Ambient temperature: -40°C~+90°C

The permitted short-circuit-temperature referring to a period of 5s is +200°C

Testing Standards:

Cold bending test: IEC 60811-504

Test under fire condition: EN 60332-1-2

THE STRUCTURE OF CABLE (Subject To The Latest Specifications)

Cross section (mm ²)	Conductor construction (± n/mm ± 0.015)	Conductor stranded (± mm ± 0.02)	Insulation medium thickness (≥ mm)	Sheath medium thickness (≥ mm)	Cable OD (± mm ± 0.2)	Conductor DC Resistance (Ω/Km)	Current carrying capacity AT 80° C(A)
1.5	22x0.285	1.5	0.7	0.8	5.2	13.7	24
2.5	36x0.285	2.0	0.7	0.8	5.7	8.21	33
4	56x0.285	2.4	0.7	0.8	6.1	5.09	44
6	84x0.285	3.0	0.7	0.8	6.7	3.39	57
10	80x0.39	4.0	0.7	0.8	7.7	1.95	79
16	120x0.39	5.0	0.7	0.9	9.2	1.24	107
25	196x0.39	6.3	0.9	1.0	11.2	0.795	142
35	276x0.39	7.4	0.9	1.0	13	0.565	176

RV

CE RoHS

产品认证 CE GB/T5023.3-2008&IEC60227-3:1997 1×4mm²~50mm²

TECHNICAL DATA

Rated voltage (V) : U0/U450/750V

Ambient Temperature: -15℃~+70℃, laid at ≥0℃

Allowable bending radius: ≥4xD(D<25mm), ≥6xD(D≥25mm)

Short circuit temperature:110℃/5s

Executive standard:

GB/T5023.3-2008&IEC60227-3:1997

THE STRUCTURE OF CABLE (Subject To The Latest Specifications)

Cross section (mm ²)	Conductor construction (±n/mm±0.02)	Conductor stranded (±mm±0.02)	Sheath median thickness (≥mm)	Cable OD (±mm±0.2)	Cable OD (20℃ □/Km)
2.5	36x0.28	1.9	0.8	3.6	7.98
4	48x0.3	2.4	0.8	4.2	4.95
6	78x0.3	2.9	0.8	5.1	3.3
10	80x0.39	4.0	1.0	6.5	1.83
16	120x0.39	5.0	1.0	7.6	1.15
25	196x0.39	6.3	1.2	9.2	0.727
35	969x0.21	7.7	1.2	10.3	0.554
50	378x0.39	9.3	1.4	12.4	0.393
70	336x0.49	11	1.4	14.1	0.277
95	456x0.49	13	1.6	16.6	0.210

H07V-R

CE RoHS

Approvals CE 1×4mm²~50mm²

TECHNICAL DATA

Rated voltage (V) : U0/U450/750V

Ambient Temperature: -15℃~+70℃, laid at ≥0℃

Allowable bending radius: ≥4xD(D<25mm), ≥6xD(D≥25mm)

Short circuit temperature:110℃/5s

Executive standard: EN50525-2-31

THE STRUCTURE OF CABLE (Subject To The Latest Specifications)

Cross section (mm ²)	Conductor construction (±n/mm±0.02)	Conductor stranded (±mm±0.02)	Sheath median thickness (≥mm)	Cable OD (±mm±0.2)	Cable OD (20℃ □/Km)
4	48x0.3	2.4	0.8	4.2	4.61
6	78x0.3	3.0	0.8	5.1	3.08
10	80x0.38	3.9	1.0	6.5	1.83
16	120x0.39	5.0	1.0	7.6	1.15
25	196x0.39	6.6	1.2	9.8	0.727
35	276x0.40	7.7	1.2	10.3	0.524
50	190x0.55	9.2	1.4	12	0.387

SOLAR PV CONNECTOR 1000V SERIES



New Standard Solar PV Connector IEC62852

- ⚡ Load Capability with big current and high voltage
- ⊖ Lower contact resistance
- 💧 Design of waterproof and dust proof
- 🛡️ Excellent performances of high–low temperature resistance, fireproof, anti–ultraviolet

**25 YEARS OF QUALITY
ADHERING TO THE SAME**

**MAKE PHOTOVOLTAIC
POWER STATIONS SAFER**



PNTTECH

Zhejiang Pntech Technology Co.,Ltd.

PV 004 *Solar PV Connector*

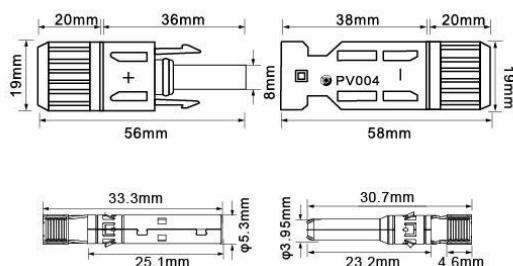


Standard IEC 62852:2014/TÜV



Parameters

- Type PV004
- Rated Voltage 1000V DC
- Contact Materials Tinned copper
- Rated Current 30A
- Standard IEC 62852:2014
- Protection Degree IP67
- Contact Resistance $\leq 0.5m\Omega$
- Ambient Temperature $-40^{\circ}\text{C}\sim+85^{\circ}\text{C}$
- Cable Cross Section Area $2.5\text{mm}^2, 4\text{mm}^2, 6\text{mm}^2$
- Insulation Material PC EXL9330
- Flame Class UL94-V0

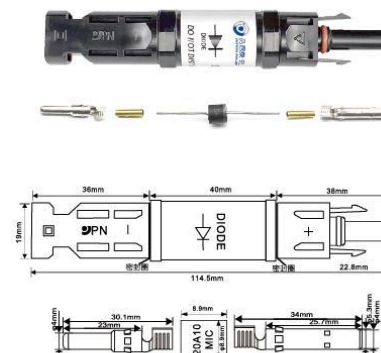


Feature

- The surface is acid-resistant and UV-resistant
- Good heat resistance and cold resistance
- Quality Assurance for 3 years
- TÜV certification
- Suitable for outdoor harsh environment
- Waterproof and dust proof design
- Flame retardant

Diode Connector PV004-D

Standard IEC 62852:2014/CE

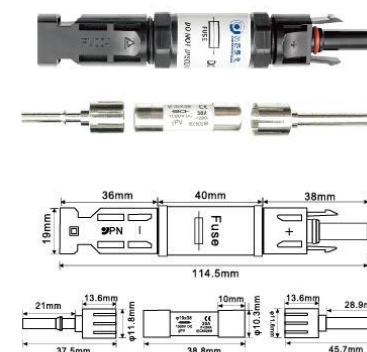


Parameters

- Type PV004-D
- Rated Voltage 1000V DC
- Contact Materials Tinned copper
- Rated Current 10A, 15A, 20A
- Standard IEC 62852:2014
- Protection Degree IP65
- Contact Resistance $\leq 0.5m\Omega$
- Ambient Temperature $-40^{\circ}\text{C}\sim+85^{\circ}\text{C}$
- Insulation Material PC EXL9330
- Flame Class UL94-V0

Fuse Connector PV004-F

Standard IEC 62852:2014/CE



Parameters

- Type PV004-F
- Rated Voltage 1000V DC
- Contact Materials Tinned copper
- Rated Current 10A, 15A, 20A
- Standard IEC 62852:2014
- Protection Degree IP65
- Contact Resistance $\leq 0.5m\Omega$
- Ambient Temperature $-40^{\circ}\text{C}\sim+85^{\circ}\text{C}$
- Insulation Material PC EXL9330
- Flame Class UL94-V0

3 to 1 T Branch Connector PV004-T3

Standard IEC 62852:2014/CE



Parameters

- Type PV004-T3
- Rated Voltage 1000V DC
- Contact Materials Tinned copper
- Rated Current 30A
- Protection Degree IP65
- Contact Resistance $\leq 0.5m\Omega$
- Ambient Temperature $-40^{\circ}\text{C}\sim+85^{\circ}\text{C}$
- Adapter Connector PV004/PV005
- Insulation Material PPO
- Flame Class UL94-V0



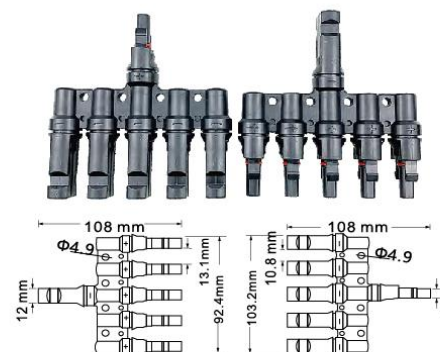
5 to 1 T Branch Connector PV004-T5

Standard IEC 62852:2014/CE



Parameters

- Type PV004-T5
- Rated Voltage 1000V DC
- Contact Materials Tinned copper
- Rated Current 30A
- Protection Degree IP65
- Contact Resistance $\leq 0.5m\Omega$
- Ambient Temperature $-40^{\circ}\text{C}\sim+85^{\circ}\text{C}$
- Adapter Connector PV004/PV005
- Insulation Material PPO
- Flame Class UL94-V0



4 to 1 T Branch Connector PV004-T4

Standard IEC 62852:2014/CE



Parameters

- Type PV004-T4
- Rated Voltage 1000V DC
- Contact Materials Tinned copper
- Rated Current 30A
- Protection Degree IP65
- Contact Resistance $\leq 0.5m\Omega$
- Ambient Temperature $-40^{\circ}\text{C}\sim+85^{\circ}\text{C}$
- Adapter Connector PV004/PV005
- Insulation Material PPO
- Flame Class UL94-V0



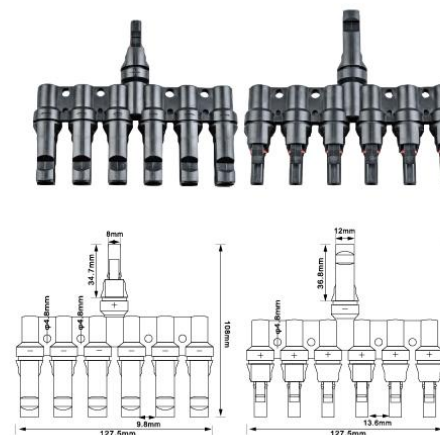
6 to 1 T Branch Connector PV004-T6

Standard IEC 62852:2014/CE



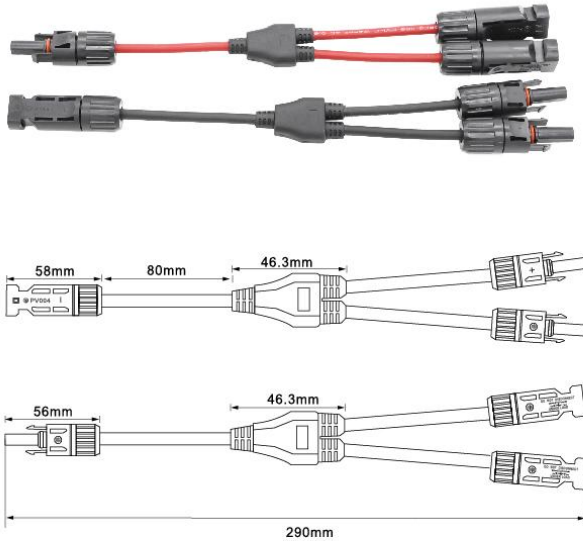
Parameters

- Type PV004-T6
- Rated Voltage 1000V DC
- Contact Materials Tinned copper
- Rated Current 30A
- Protection Degree IP65
- Contact Resistance $\leq 0.5m\Omega$
- Ambient Temperature $-40^{\circ}\text{C}\sim+85^{\circ}\text{C}$
- Adapter Connector PV004/PV005
- Insulation Material PPO
- Flame Class UL94-V0



2 to 1 Y Branch Connector PV004-2T1

Standard IEC 62852:2014/CE



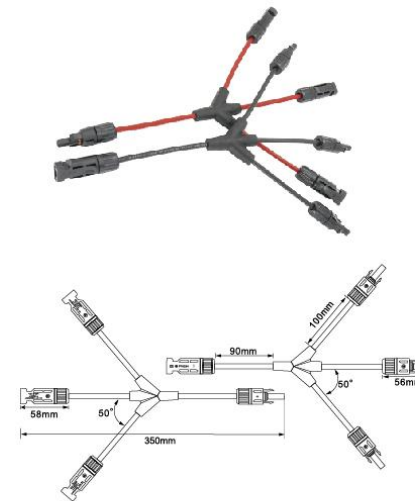
RoHS

Parameters

• Type	PV004-2T1	• Contact Materials	Tinned copper
• Rated Voltage	1000V DC	• Insulation Material	PC EXL9330/XLPO
• Rated Current	30A	• Flame Class	UL94-V0
• Protection Degree	IP67	• Input Cable	PV Cable 1 × 4mm ²
• Contact Resistance	≤0.5mΩ	• Output Cable	PV Cable 1 × 4mm ²
• Ambient Temperature	-40°C~+85°C		

3 to 1 Y Branch Connector PV004-3T1

Standard IEC 62852:2014/CE



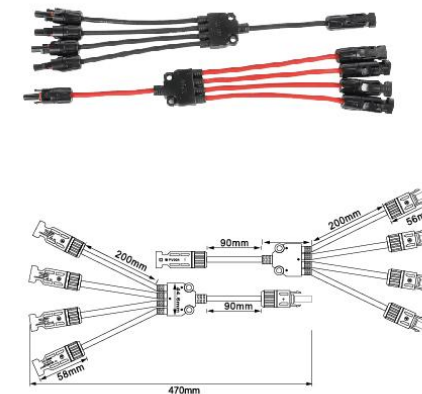
RoHS

Parameters

• Type	PV004-3T1
• Rated Voltage	1000V DC
• Rated Current	30A
• Protection Degree	IP67
• Contact Resistance	≤0.5mΩ
• Ambient Temperature	-40°C~+85°C
• Contact Materials	Tinned copper
• Insulation Material	PC EXL9330/XLPO
• Flame Class	UL94-V0
• Input Cable	PV Cable 1 × 4mm ²
• Output Cable	PV Cable 1 × 4mm ²

4 to 1 Y Branch Connector PV004-4T1

Standard IEC 62852:2014/CE



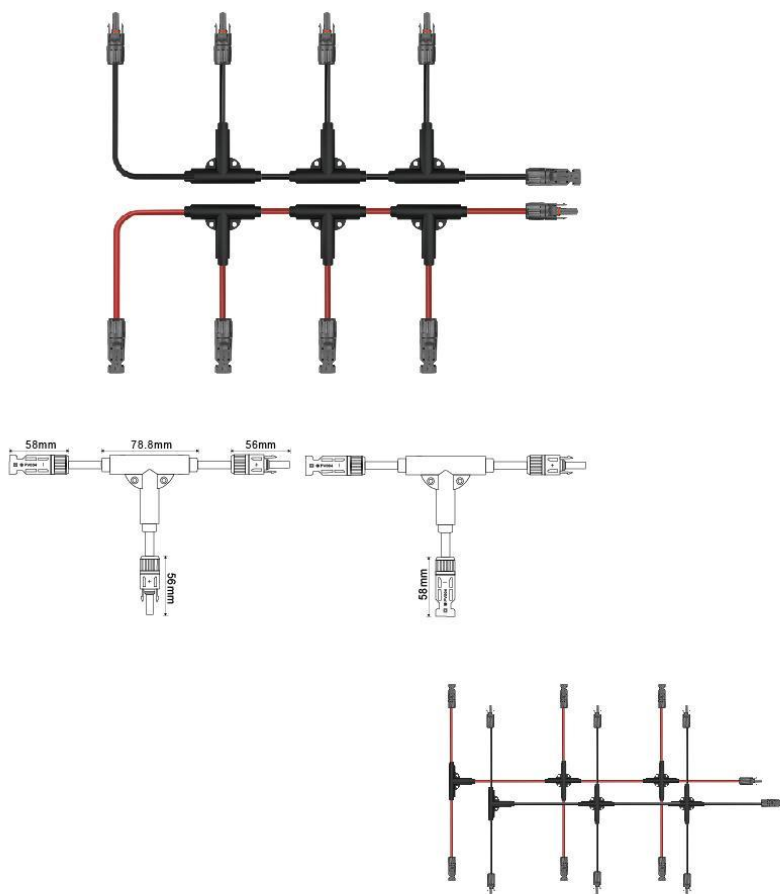
RoHS

Parameters

• Type	PV004-4T1
• Rated Voltage	1000V DC
• Rated Current	30A
• Protection Degree	IP67
• Contact Resistance	≤0.5mΩ
• Ambient Temperature	-40°C~+85°C
• Contact Materials	Tinned copper
• Insulation Material	PC EXL9330/XLPO
• Flame Class	UL94-V0
• Input Cable	PV Cable 1 × 4mm ²
• Output Cable	PV Cable 1 × 6mm ²

X to 1 Y Branch Connector PV004-XT1

Standard IEC 62852:2014/CE

**Parameters**

• Type	PV004-XT1	• Contact Resistance	≤0.5mΩ	• Flame Class	UL94-V0
• Rated Voltage	1000V DC	• Ambient Temperature	-40°C~+85°C	• Input Cable	PV Cable 1 × 4/6mm ²
• Rated Current	30A	• Contact Materials	Tinned copper	• Output Cable	PV Cable 1 × 4/6mm ²
• Protection Degree	IP67	• Insulation Material	PC EXL9330/XLPO		

1000V Series Solar PV Connector

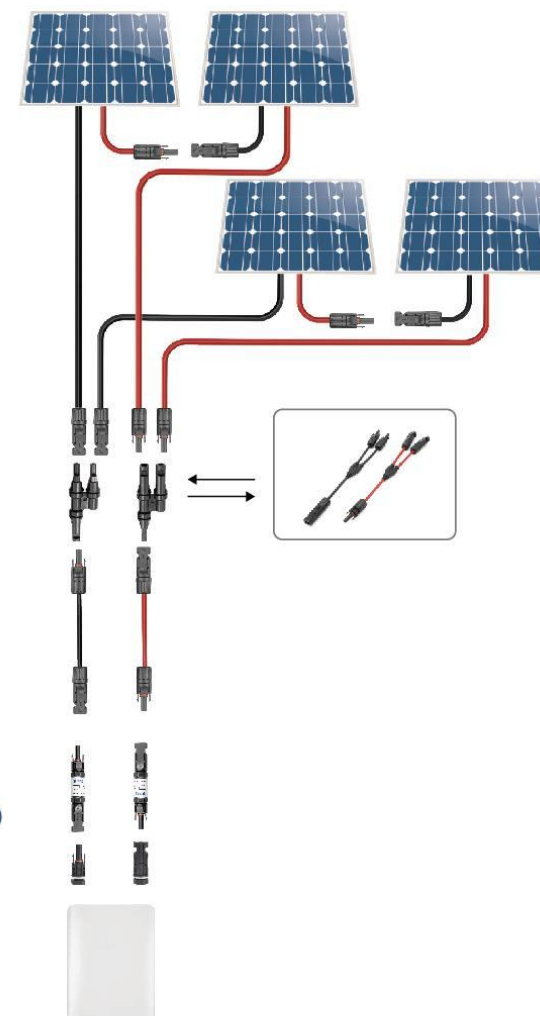
● PV Connector

● T/Y/X Branch Connector

● SolarExtension Cable

● PV FUSE Holder Fuse Connector(FUSE 15-30A)

● Plate End Connector





SOLAR PV CONNECTOR 1500V SERIES

New Standard Solar PV Connector IEC62852

- ⚡ Load Capability with big current and high voltage
- ⊖ Lower contact resistance
- ☔ Design of waterproof and dust proof
- 🌡️ Excellent performances of high-low temperature resistance, fireproof, anti-ultraviolet



**25 YEARS OF QUALITY
ADHERING TO THE SAME**

**MAKE PHOTOVOLTAIC
POWER STATIONS SAFER**

PNTTECH

Zhejiang Pntech Technology Co.,Ltd.

PV 005 Solar PV Connector

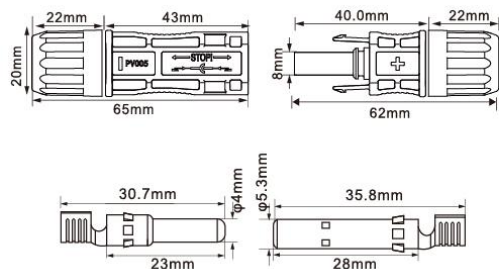


Standard IEC 62852:2014/TÜV



Parameters

- Type PV005
- Rated Voltage 1500V DC
- Contact Materials Tinned copper
- Rated Current 30A
- Standard IEC 62852:2014
- Protection Degree IP65/IP68
- Contact Resistance $\leq 0.5m\Omega$
- Ambient Temperature $-40^{\circ}\text{C} \sim +85^{\circ}\text{C}$
- Cable Cross Section Area $2.5\text{mm}^2, 4\text{mm}^2, 6\text{mm}^2$
- Insulation Material PPE
- Flame Class UL94-V0



Feature

- Lower contact resistance
- Good heat resistance and cold resistance
- Quality Assurance for 3 years
- TÜV certification
- Suitable for outdoor harsh environment
- Waterproof and dust proof design

Plate End Connector PV005-P

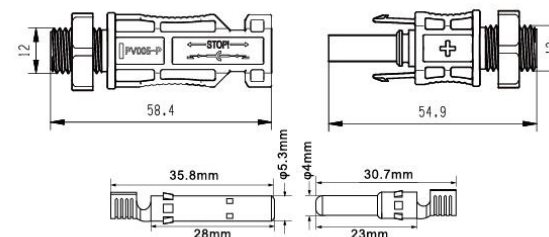


Standard IEC 62852:2014/TÜV



Parameters

- Type PV005-P
- Rated Voltage 1500V DC
- Contact Materials Tinned copper
- Rated Current 30A
- Standard IEC 62852:2014
- Protection Degree IP65/IP68
- Contact Resistance $\leq 0.5m\Omega$
- Ambient Temperature $-40^{\circ}\text{C} \sim +85^{\circ}\text{C}$
- Thread Size 12mm
- Insulation Material PPE
- Flame Class UL94-V0



Feature

- Lower contact resistance
- Good heat resistance and cold resistance
- Quality Assurance for 3 years
- TÜV certification
- Suitable for outdoor harsh environment
- Waterproof and dust proof design

Fuse Connector

Standard IEC 62852:2014



PV005-FA



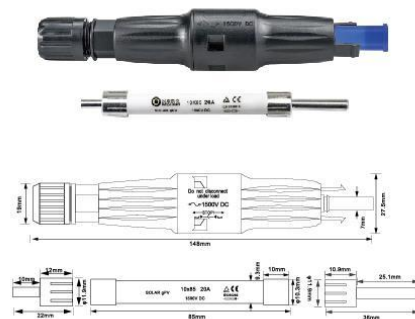
PV005-FB



PV005-FC



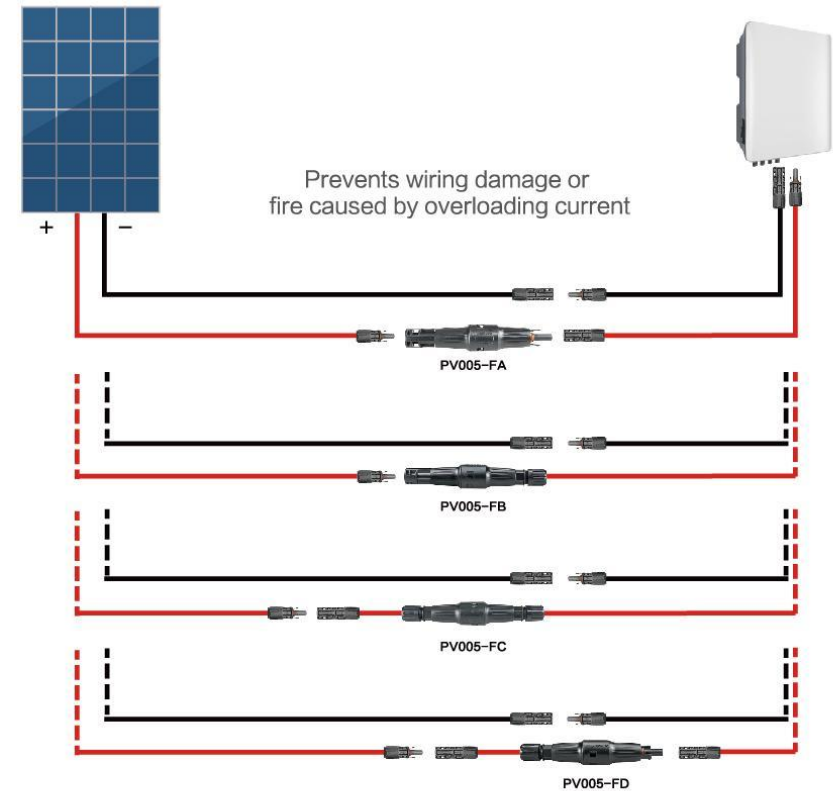
PV005-FD



Parameters

Type	PV005-F	Protection Degree	IP65
Rated Voltage	1500V DC	Contact Resistance	≤0.5mΩ
Contact Materials	Tinned copper	Ambient Temperature	-40℃~+85℃
Rated Current	15A,20A,25A,30A	Insulation Material	PPO
Standard	IEC 62852:2014	Flame Class	UL94-V0

Fuse Product Usage Diagram



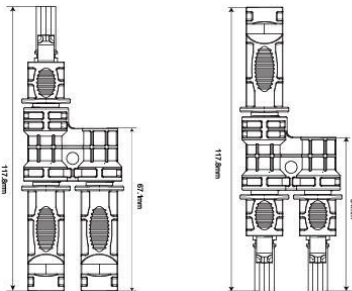
Solar PV Connector PV005-T

CE RoHS

Standard IEC 62852:2014/TÜV

**Parameters**

- Type PV005-T
- Rated Voltage 1500V DC
- Rated Current 45A
- Protection Degree IP68
- Contact Resistance $\leq 0.5m\Omega$
- Ambient Temperature $-40^{\circ}\text{C}\sim+85^{\circ}\text{C}$
- Contact Materials Tinned copper
- Adapter Connector PV004/PV005
- Insulation Material PPO
- Flame Class UL94-V0

**Feature**

- Lower contact resistance
- Good heat resistance and cold resistance
- Quality Assurance for 3 years
- TÜV certification
- Suitable for outdoor harsh environment
- Waterproof and dust proof design

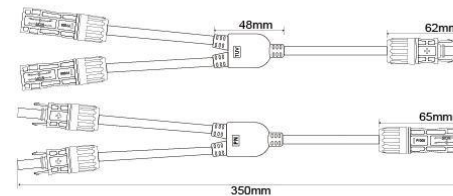
2 to 1 Y Branch Connector PV005-2T1

Standard IEC 62852:2014/CE

CE RoHS

Parameters

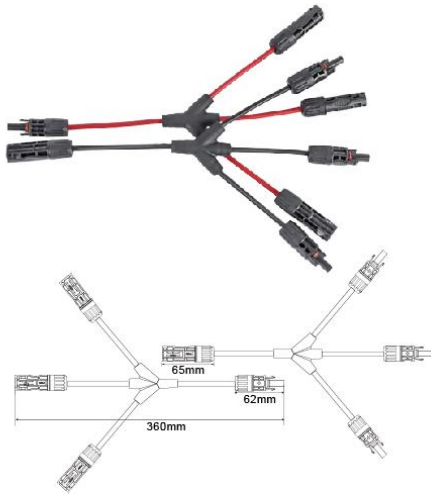
- Type PV005-2T1
- Rated Voltage 1500V DC
- Rated Current 30A
- Protection Degree IP68
- Contact Resistance $\leq 0.5m\Omega$
- Ambient Temperature $-40^{\circ}\text{C}\sim+85^{\circ}\text{C}$
- Contact Materials Tinned copper
- Insulation Material PPE/XLPO
- Flame Class UL94-V0
- Input Cable PV Cable $1 \times 4\text{mm}^2$
- Output Cable PV Cable $1 \times 4\text{mm}^2$

**Feature**

- Lower contact resistance
- Good heat resistance and cold resistance
- Quality Assurance for 3 years
- TÜV certification
- Suitable for outdoor harsh environment
- Waterproof and dust proof design

3 to 1 Y Branch Connector PV005-3T1

Standard IEC 62852:2014/CE



CE RoHS

Parameters

- Type PV005-3T1
- Rated Voltage 1500V DC
- Rated Current 30A
- Protection Degree IP68
- Contact Resistance $\leq 0.5m\Omega$
- Ambient Temperature $-40^{\circ}\text{C}\sim+85^{\circ}\text{C}$
- Contact Materials Tinned copper
- Insulation Material PPE/XLPO
- Flame Class UL94-V0
- Input Cable PV Cable $1 \times 4\text{mm}^2$
- Output Cable PV Cable $1 \times 4\text{mm}^2$

PV 006 Solar PV Connector



CE RoHS

Standard 2PFG 2925/01.23/TÜV

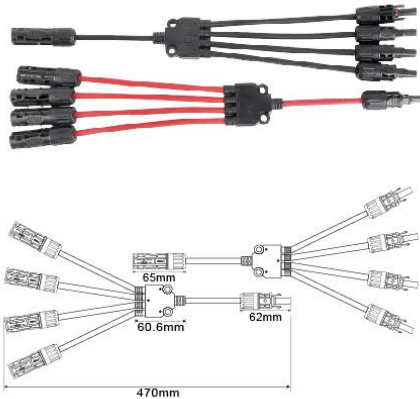


Parameters

- Type PV006
- Rated Voltage 2000V DC
- Contact Materials Tinned copper
- Rated Current 45A
- Standard 2PFG 2925/01.23
- Protection Degree IP65/IP68
- Contact Resistance $\leq 0.5m\Omega$
- Ambient Temperature $-40^{\circ}\text{C}\sim+85^{\circ}\text{C}$
- Cable Cross Section Area $4\text{mm}^2, 6\text{mm}^2$
- Insulation Material PC
- Flame Class UL94-V0

4 to 1 Y Branch Connector PV005-4T1

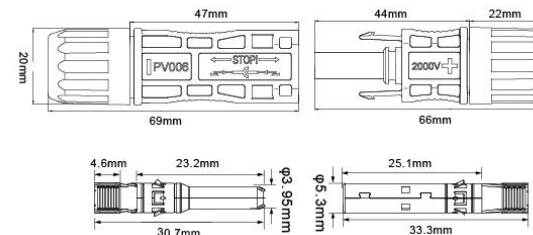
Standard IEC 62852:2014/CE



CE RoHS

Parameters

- Type PV005-4T1
- Rated Voltage 1500V DC
- Rated Current 30A
- Protection Degree IP68
- Contact Resistance $\leq 0.5m\Omega$
- Ambient Temperature $-40^{\circ}\text{C}\sim+85^{\circ}\text{C}$
- Contact Materials Tinned copper
- Insulation Material PPE/XLPO
- Flame Class UL94-V0
- Input Cable PV Cable $1 \times 4\text{mm}^2$
- Output Cable PV Cable $1 \times 6\text{mm}^2$



Feature

- Lower contact resistance
- Good heat resistance and cold resistance
- Quality Assurance for 3 years
- TÜV certification
- Suitable for outdoor harsh environment
- Waterproof and dust proof design

FOUR REASONS FOR CHOOSING

SOLAR EXTENSION CABLE



Safe and reliable materials: The connectors and cables use PC EXL9330 and XLPO/XLPE for the housing and tinned copper for the conductor.

Easy to install: compatible with all standard MC4 connectors, easy to use and install

High quality and Long life span: Dust proof, Waterproof, UV Resistant, Portable

More widely applicable: usually used for connection the solar panel DC output and solar panel output, or extension



Solar Extension Cable With Connector

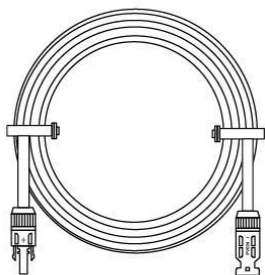
Double Ends

Standard IEC 62852:2014/CE



Parameters

- Type: DC-DC
- Rated Voltage: 1000V/1500V DC
- Rated Current: 30A
- Contact Resistance: $\leq 0.5m\Omega$
- Ambient Temperature: $-40^{\circ}C \sim +85^{\circ}C$
- Contact Materials: Tinned copper
- Insulation Material: PC EXL9330/XLPO
- Flame Class: UL94-V0
- Cable specifications: 2.5/4/6/10mm²
- Cable Length: Customized



Solar Extension Cable With Connector

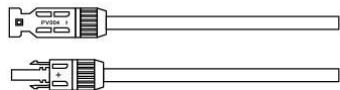
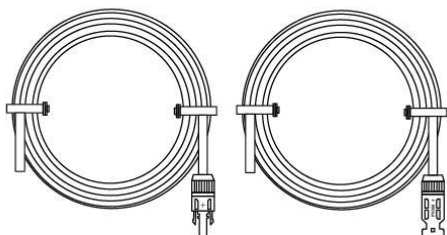
Single End

Standard IEC 62852:2014/CE



Parameters

- Type: DC-00
- Rated Voltage: 1000V/1500V DC
- Rated Current: 30A
- Contact Resistance: $\leq 0.5m\Omega$
- Ambient Temperature: $-40^{\circ}C \sim +85^{\circ}C$
- Contact Materials: Tinned copper
- Insulation Material: PC EXL9330/XLPO
- Flame Class: UL94-V0
- Cable specifications: 2.5/4/6/10mm²
- Cable Length: Customized



Customization Scheme for Solar Extension Cable



Double Ends

← Custom Size →



Single End

DESIGNATION	DIAGRAM	DESIGNATION	DIAGRAM
O Type DT		Energy Storage Battery Connection Cord	
Battery Brass Buckle		MC4 Dual Parallel Extension Cable	
Anderson Joint		Solar Street Light	
MC4 Dual Parallel Extension Cable		Automotive Junction Box	



PRODUCT FEATURES

Features a crown spring contact structure for reliable conductivity. IP67 waterproof rating with a secure locking mechanism.

Conductivity	Copper alloy contacts ensure strong conductivity, corrosion resistance, and durability.
Durability	Nylon housing is sturdy, wear-resistant, aging-resistant, and non-deformable.
Reliability	Push-button locking design ensures secure connection and smooth plugging/unplugging.
Efficiency	Wire harness design simplifies circuit connection and saves space.



TECHNICAL DATA

Item	DC-DC-ESP-25	DC-DC-ESP-35	
Wiring Specification	ESP15Z3Z3-K 1x25mm ²	ESP15Z3Z3-K 1x35mm ²	
Connector Model	ESP-150A	ESP-150A/200A	
Compatibility	ESS-150A-35 connectors	ESS-200A-50 ESS-200A-50 connectors	
Rated Voltage	DC1500V	Withstand Voltage Test	6800V/min
Rated Current	150A/200A	Flame Retardant Rating	IP67
Wiring Color	Orange and Black	Mating Cycles	≥100
Ambient Temperature Range	-40℃~+125℃	Salt Spray Test	48H
Contact Resistance	≤0.5mΩ	Service Life	25 Years



PRODUCT FEATURES

The flat wire passing through the window is suitable for leading wires from outdoors into the house, requiring no drilling and being durable.

Tinned Copper	High-quality tinned copper core: low resistance, high conductivity, and safe.
Long service life	Flat & flexible for easy installation; high tensile strength.
High passability	which can meet the usage requirements in various narrow spaces.
Sheath	Flame-retardant, eco-friendly PVC: heat, wear & corrosion-resistant.



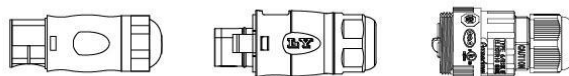
TECHNICAL DATA

12AWG			
Conductor Material	Tinned plated copper	Min Tensile Strength(N/mm ²)	≥8.0
Construction	TS 144/0.15±0.005	Min Break Elongation Rate(%)	≥125
Sheath Material	PVC	Flame Test	Vertical Combustion
Rated Voltage(V)	450/750V	Theoretical Service Life (年)	En60332-1-2
Rated Temp(℃)	-20℃ - 90℃	Environment Protection	25
Cond. Resistance(Ω/km,20℃)	≤5.64	Length	Rohs2.0
Voltage With Stand Test	3.5KV,5min	Colour	Customisable
Spark Electromechanical Voltage(KV)			Customisable

VDE

CE RoHS

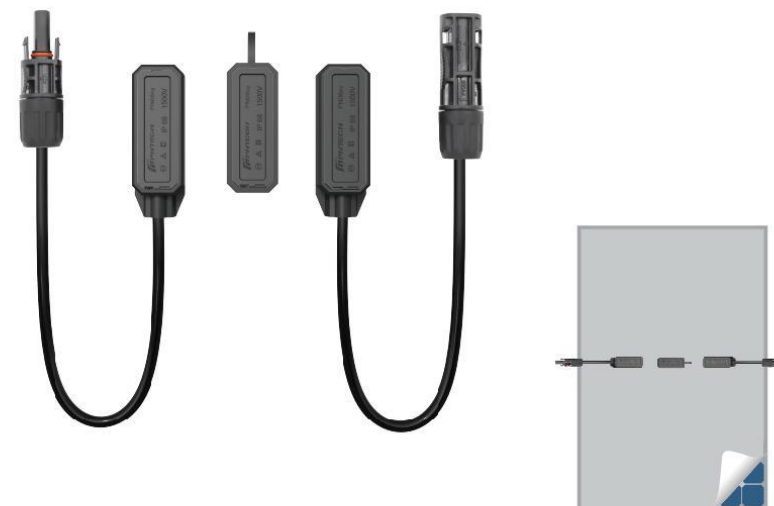
Approvals VDE H07RN-F 3x1.0mm²~3 x2.5mm²



PV AC CONNECTORS

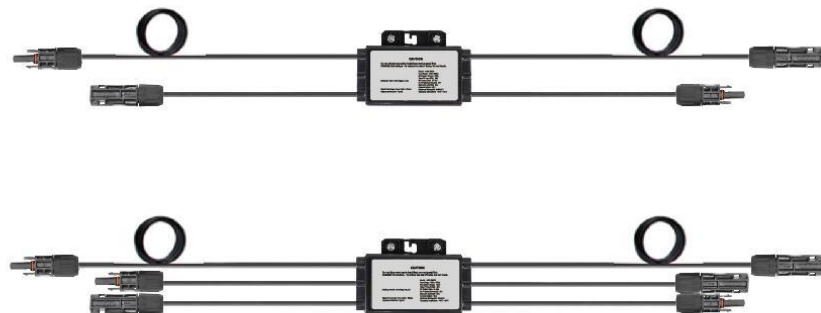
Type	BC01	LY	EP030-2224-00
Rated Voltage	250V AC	250V AC	250V AC
Rated Current	16A	16A	16A
Contact Resistance	≤0.5mΩ	≤0.5mΩ	≤10mΩ
Ambient Temperature	-40°C~+60°C	-40°C~+60°C	-40°C~+60°C
Contact Materials	Tinned copper	Tinned copper	Tinned copper
Insulation Material	PC/PPO	/	PA66
Cable specifications	3x1.0/1.5/2.5mm ²	3x1.5/2.5mm ²	3x1.0/1.5/2.5mm ²
Protection Degree	IP68	IP68	IP68

TUV
300
CE RoHS

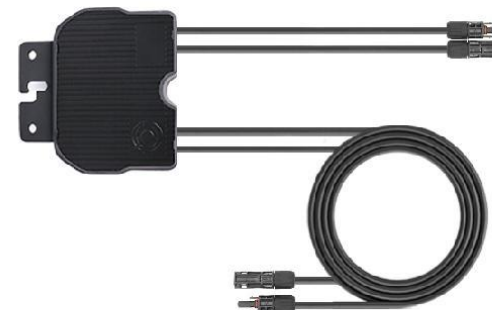


PN08xy

Corresponding current	20A/25A/30A	Connecting capacity	1x4mm ² , 12AWG
Rated voltage	1500V	Waterproof Structure	Potting sealant
Max working voltage	100V	Connecting capacity	Soldering
Ambient temperature	-40~+85°C	Insulation Material	PPE+PS
Degree of protection	IP65/IP68 (1m,1h)	Contact Material	Copper tin plating
Pollution degree	class A	Volume Of Silicon Gel Up to	9mm-7.0g
Flame class	UL94-V0 5VA	Entry cable	180°



Models	GS-RSD-80-20S	GS-RSD-80-20D	GS-RSD-80-25S	GS-RSD-80-25D
Technical Data				
No. of Input channels	Single Channel	Dual-channel	Single Channel	Dual-channel
No. of Output Channels	Single Channel			
Input Voltage	12-80V (Single Channel)			
Output Voltages	12-80V (Single Channel) / 12-160V (Dual-channel)			
Max. output current	20A		25A	
Max. short-circuit current	25A		30A	
Max. system voltage	1000V (1500V Selectable)			
Communication Method	PLC (SunSpec protocol)			
Shutdown Output Voltage	1V @ 10mA			
Power consumption	200 mW			
Mechanical parameters				
Input Connector	MC4 or MC4 compatible			
Input cable length	Single Channel 0.5 m / Dual-channel 0.5m (Support customisation)			
Output Connectors	MC4 or MC4 compatible			
Output cable length	Single Channel 1.2 m / Dual-channel 2.4m (Support customisation)			
Dimensions (without cable)	120 x 77 x 17mm (W*H*T)			
Environmental parameters				
Operating temperature range	-40° C to +85° C			
Outdoor rating	IP68 / NEMA6P			
Approve				
Security certification*	UL1741, CSA C22.2 No. 330-17, IEC/EN 62109-1			
Electromagnetic compatibility*	FCC Part15 Class B, ANSI C63.4, IEC/EN 61000-6-1/-2/-3/-4			
SUNSPEC&UL	YES			



PRODUCT FEATURES

Safety

- Mitigates the mismatch loss of PV module in its service life
- Twenty-five years

Convenience

- Clip-type design, Reliable fastening
- Easy disassembly and maintenance

High Efficiency

- Compatible with various PV module
- Designed to work in the complex and changeable installation sites
- 5-25% increase in power generation

TECHNICAL DATA

YH005-600W			
Maximum system voltage	1500V	Input cable length	500mm
Maximum Rated Input DC Power	600W	Output cable length	1000mm
Operation voltage range	7-60V	PV connector Model	PV005
Maximum input current	16A	Terminal compatibility	Compatible with MC4 connectors
Maximum output voltage	42V	Class of protection	IP65/IP68
Overload protection condition	18A or 150°C	Ambient temperature range	-40°C~+85°C
Dimension	103*105*21mm	Ambient humidity range	0-100%RH
Weight	0.5kg	Peak efficiency	99.5%
Cable specification	1x4mm ²	Warranty period	Twenty-five years

Solar PV Professional Installation Tool Set (Model)

C4K-L



- Crimping Pliers(A-2546B)
- Screw Driver × 2
- Cutting and stripping pliers
- Wire Cutters
- Nipper Pliers
- Connector Spanner

C4K-S



- Crimping Pliers(LY-2546B)
- Wire Stripper
- Cutting and stripping pliers
- Connector Spanner

C4K-C



- Crimping Pliers(A-2546B)
- Wire Stripper
- Wire Cutters
- Connector Spanner

C4K-D



- Crimping Pliers(LY-2546B)
- Wire Stripper
- Wire Cutters
- Connector Spanner



Steps To Use



Preparing the Tools



1. Cut the Wire



Use wire cutters to cut out the desired length



2. Wire Stripping



Use wire strippers to stripout the cable about 1cm



3. Crimping



Use crimping pliers to fix-copper terminals on the end of stripped cable.



4. Combination



Insert the wire with copper terminal into the connector and use spanner to tighten the nut



5. Docking

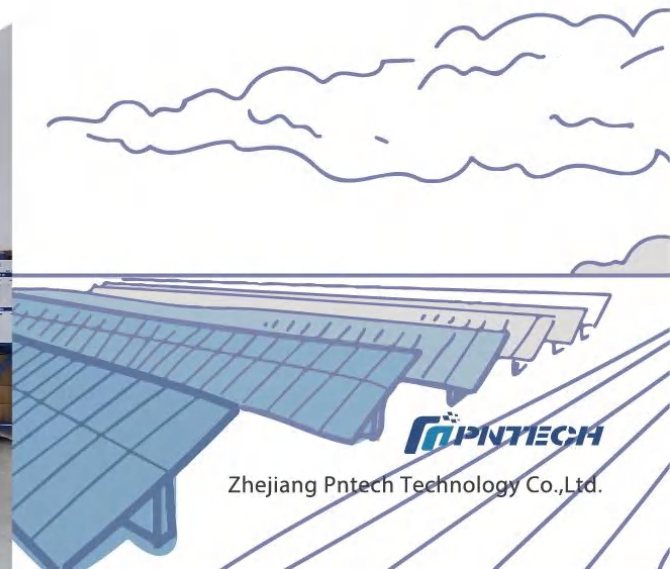


Connect the positive and negative terminals of the connector, ensure that the latch is fully inserted and locked



INTEGRITY MANAGEMENT QUALITY RESPONSIBILITY

BRING QUALITY HOME
ADD SUNSHINE TO PHOTOVOLTAIC



Zhejiang Pntech Technology Co.,Ltd.